

SVA032-A



Features

- 1/4" Mega-Pixel Sony CMOS sensor
- Wide View 120° (2.45mm)
- AHD (720p) Resolution
- WDR (Wide Dynamic Range)
- IP68 Weatherproof Rating
- 0.1 Lux
- Easy Windshield Installation with 3M Adhesive
- Simple and Secure Angle Control
- L Bracket Included for Various Mounting Options
- Secure Aviator Cable Connector
- 5, 10, 15, or 20m Extension Cable Length Available



1/3 WDR
CMOS SENSOR



DAY & NIGHT



WDR
WIDE
DYNAMIC RANGE



DNR
DIGITAL NOISE
REDUCTION



DPC
DEAD PIXEL
COMPENSATION



LSC
LENS SHADING
COMPENSATION



2.45mm
BOARD LENS

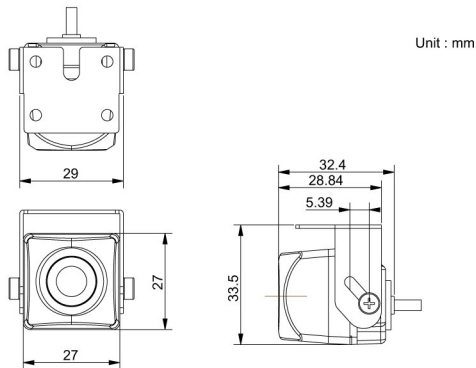


DC 12V



IP 68

Dimensions



Cable



Extension Cable available in 5m, 10m, 15m, 20m

Alternative Views



Top View



Side View 1



Side View 2

Specifications

SVA032-A	
Image Device	1.3 Mega-Pixel Sony CMOS Sensor
Image Processor	NVP 2431
Effective Pixels	1305(H) x 1049(V) = 1.37M
TV Mode	NTSC / PAL
Video Output	AHD : 1.0 (720P) / CVBS : 1Vp-p ±10%, 75Ω
Scanning Mode	Progressive
Synchronization	Internal
Sensitivity	0.1Lux (F1.2, @50IRE)
S/N Ratio	More than 50dB AGC OFF
White Balance	Auto
BLC	Off / Low / Middle / High
D-WDR	Off / Low / Middle / High
AGC	Auto
Mirror	ON/OFF (Option)
DAY&NIGHT	True Day / Night
Lens	f=2.45mm lens [MEGA LENS]
Power Supply	DC12V ±5% : 80mA
Storage Temperature	-20°C ~ +60°C
Operating Temperature	-10°C ~ +50°C (Humidity : 30%~80% RH)
Dimension	27mm(W) x 32.4mm(D) x 27mm(H)
Language	English
Housing Color	Black